

# SNTKSLP5-12

## High Efficiency Multicrystalline PV Module

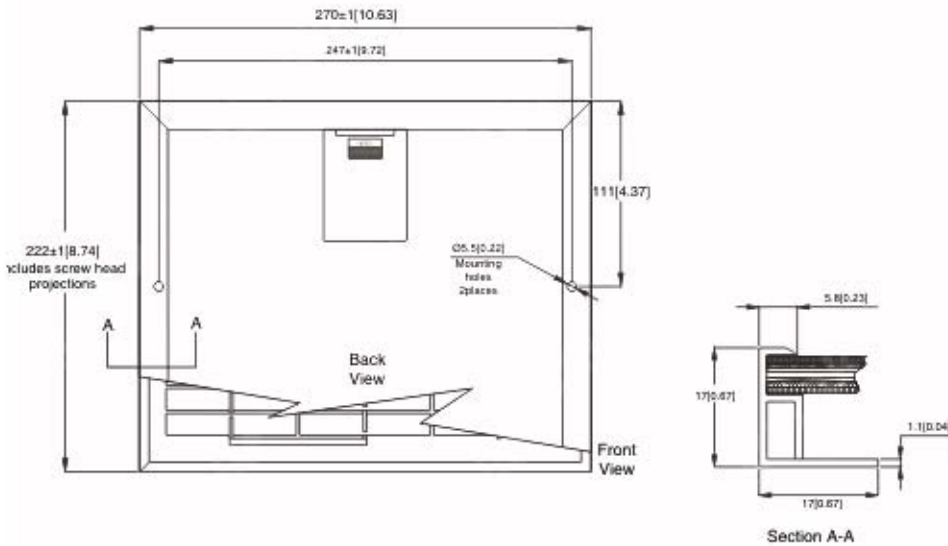
Electrical Characteristics	SLP005-12
Product code	005011201
Maximum power (Pmax)	5W
Voltage at Pmax (Vmp)	17.0V
Current at Pmax (Imp)	0.29A
Open-circuit voltage (Voc)	21.6V
Short-circuit current (Isc)	0.34A
Temperature coefficient of Voc	- $(80 \pm 10) \text{mV}/^\circ\text{C}$
Temperature coefficient of Isc	$(0.065 \pm 0.015) \%/^\circ\text{C}$
Temperature coefficient of power	- $(0.5 \pm 0.05) \%/^\circ\text{C}$
NOCT (Air 20°C, Sun 0.8kW/m <sup>2</sup> wind 1m/s)	47 $\pm$ 2°C
Operating temperature	-40°C to 85°C
Maximum system voltage	1000V DC
Power tolerance	+10%/- 5%

\*STC: Irradiance 1000W/m<sup>2</sup>, AM1.5 spectrum, module temperature 25°C  
 \*NOCT: Nominal operating cell temperature (the data is only for reference)



### Module Diagram

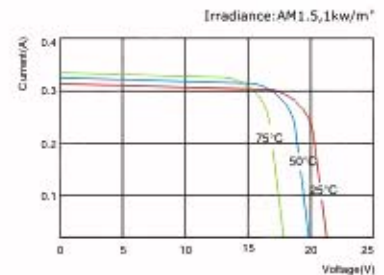
Dimensions in brackets are in inches.  
 Un-bracketed dimensions are in millimeters.  
 Unit: mm[in.]



### Features

- Nominal 12V DC for standard output.
- Outstanding low-light performance.
- Heavy-duty anodized frames.
- High transparent low-iron, tempered glass.
- Rugged design to withstand high wind pressure, hail and snow load.
- Aesthetic appearance.

### Characteristics



SLP005-12 I-V Curves

Specifications	SLP005-12
Cells	Polycrystalline silicon solar cell
No. of cells and connections	36(3X12)
Module dimension	222mm[8.74in.]x270mm[10.63in.]x17mm[0.67in.]
Weight	0.75kg[1.65lbs]
Packing information(Inner box)	280[11.02in.]x230[9.06in.]x25[0.98in.]
Packing information(Carton)	310[12.20in.]x300[11.81in.]x255[10.04in.](10pcs/ctn)

\*Limited warranty: 2-year limited warranty of materials and workmanship; 10-year limited warranty of 90% power output. For detail, please contact us.  
 \*Specifications are subject to change without notice at any time.