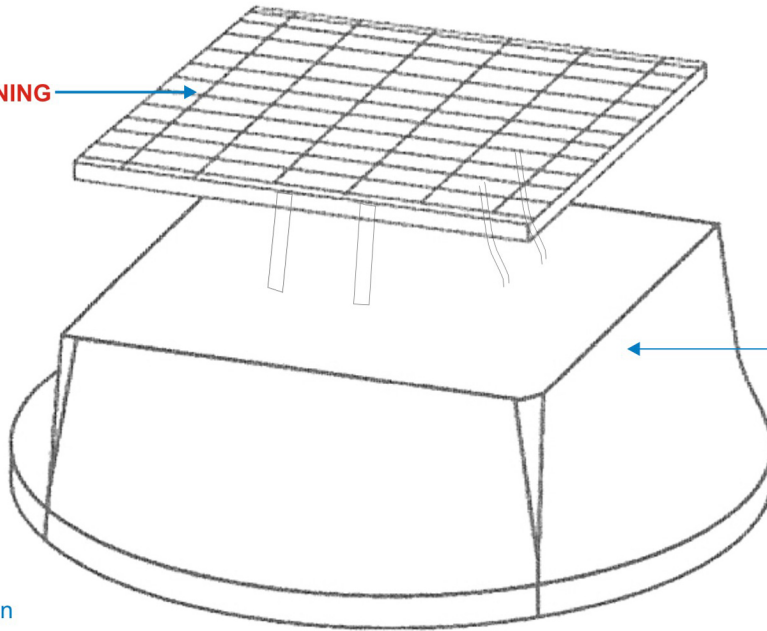


**FAN-AT12P14 (12-Inch) SOLAR POWERED COOLING FAN**

COMMERCIAL GRADE MODEL

14-WATT High-Power Poly-Cell Solar Panel with **3-LEVEL MANUAL ADJUSTABLE POSITIONING**



Durable ABS UV Protected Shell Cover.

Full Metal Tri-Blade Design For Maximum Air-Flow.

Mesh Wire Cage Protection From External Elements.

24" Square Roof Flashing Base of 26 gauge Corrosion Resistant Steel For Maximum Leakage Protection.

Maintenance FREE, Whisper-Quiet, Ultra- Efficient Motor For Extended Reliability & Performance.

